

THIS DRAWING IS UNPUBLISHED.

RELEASED FOR PUBLICATION

ALL RIGHTS RESERVED.

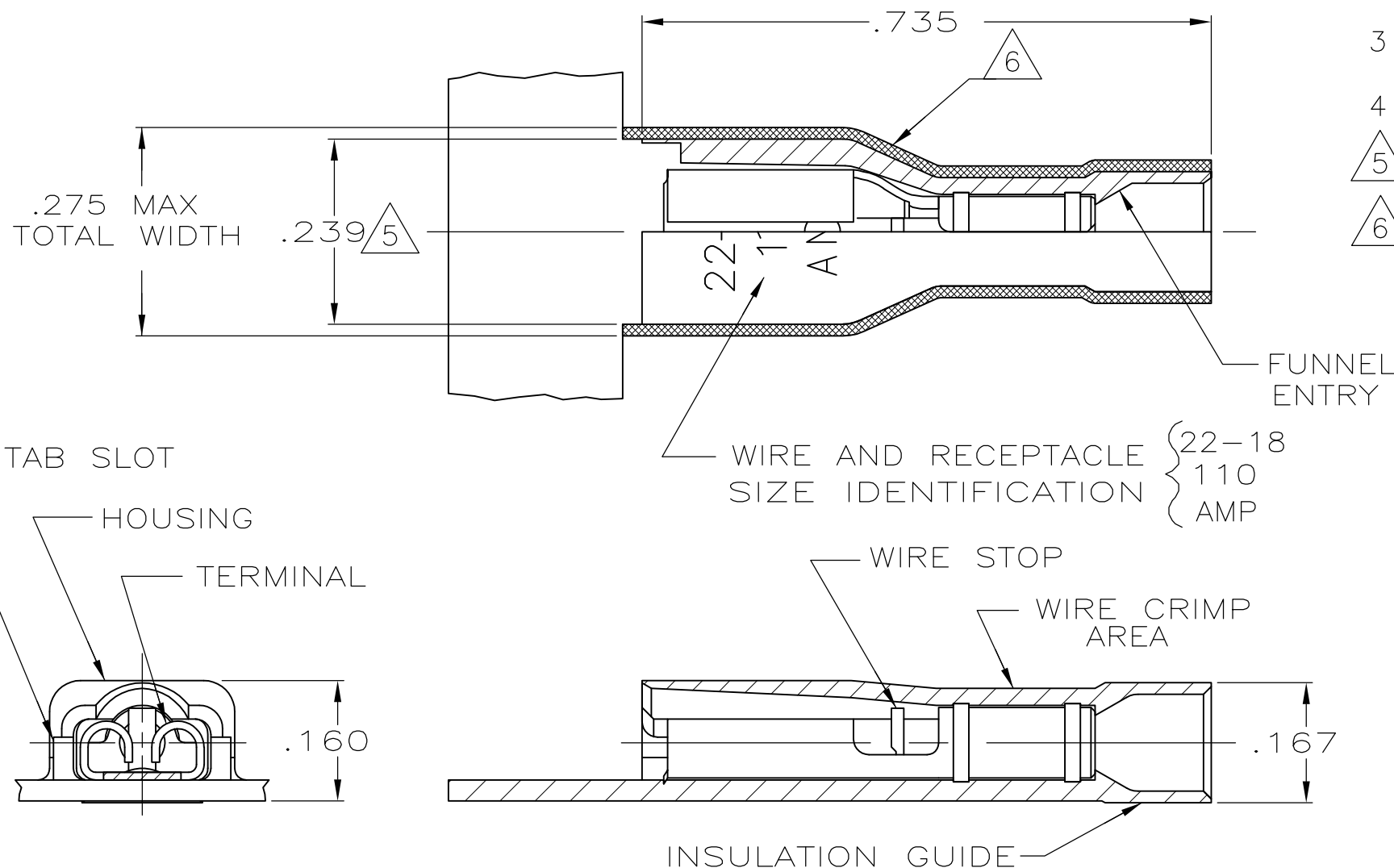
© COPYRIGHT - By -

LOC AF DIST 50

REVISIONS

P	LTR	DESCRIPTION	DATE	DWN	APVD
R		REVISED PER ECR-13-004343	18JUL12	KH	KR

- 1 MATES WITH .016±.001X.110 OR .125 TAB
- 2 WIRE STRIP LENGTH .281
- 3 INSULATION SIZE .120 MAX DIA
- 4 CONTINUOUS STRIP ON REELS
- △5 DIMENSION DOES NOT INCLUDE TRIM BURR
- △6 .015 MAX CARRIER TRIM BURR PER SIDE IS ALLOWABLE IN THE SHADED AREA



HOUSING: NYLON, COLOR-RED TRANSLUCENT	2-520080-2
RECEPTACLE: BRASS TIN	
MATERIAL & FINISH	PART NO

THIS DRAWING IS A CONTROLLED DOCUMENT.		DWN P FORTNEY 11/8/88	STE TE Connectivity	
DIMENSIONS: INCHES		CHK MS FEHER 11/8/88		
TOLERANCES UNLESS OTHERWISE SPECIFIED:		APVD K RANDOLPH 11/10/88	NAME	
0 PLC ± -		PRODUCT SPEC 108-2043	RECEPTACLE ASSY, ULTRA-FAST, .110/.125 SERIES, 22-18AWG	
1 PLC ± -		APPLICATION SPEC 114-2123	SIZE	CAGE CODE
2 PLC ± -		WEIGHT -	A3	00779
3 PLC ± .015		CUSTOMER DRAWING	DRAWING NO	C-520080
4 PLC ± -			RESTRICTED TO	-
ANGLES ± -			SCALE	5:1
MATERIAL SEE TABLE	FINISH SEE TABLE		SHEET	1 OF 1
			REV	R